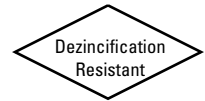


NIBCO® Press System® Bronze Ring Check® Valve



In-line Lift Type • Resilient Discs • Spring Actuated

250 PSI/17.2 Bar Non-Shock Cold Working Pressure
250°F Maximum Operating Temperature

MATERIAL LIST

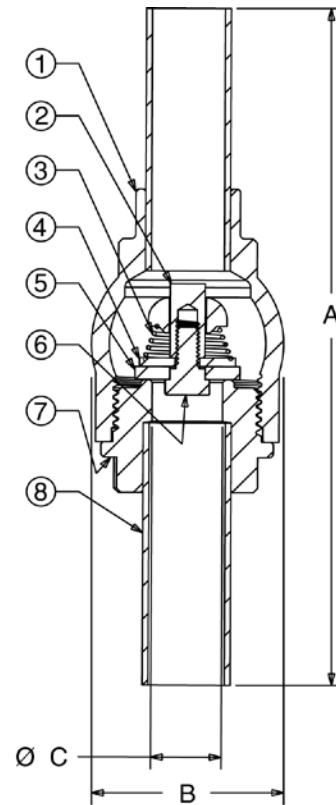
PART	SPECIFICATION
1. Body	Bronze ASTM B 584 Alloy C84400
2. Stem	Stainless Steel ASTM A 582 Alloy C30300
3. Spring	316 Stainless Steel
4. Disc Holder	Stainless Steel Type 301
5. Disc	PTFE
6. Seat Screw	Stainless Steel ASTM A 276 Alloy S43000
7. Body End	Bronze ASTM B 584 Alloy C84400
8. Stub Out (2)	Type "L" Copper Tube



PS480-Y
Press x Press
Male End

DIMENSIONS—WEIGHTS

Size	Dimensions								Weight	
	A		B		C					
In. mm.	In.	mm.	In.	mm.	In.	mm.	In.	mm.	Lbs.	Kg.
½ 15	6.19	157	1.38	35	.50	13	.53	.24		
¾ 20	6.81	173	1.63	41	.75	19	.75	.34		
1 25	7.32	186	2.00	51	1.00	25	1.18	.54		
1¼ 32	7.63	194	2.38	60	1.25	32	1.74	.79		
1½ 40	8.18	208	2.75	70	1.50	38	2.36	1.07		
2 50	8.99	228	3.38	86	2.00	51	3.71	1.68		



PS480-Y (PTFE Disc)
P x P

NIBCO check valves may be installed in both horizontal and vertical lines with upward flow or in any intermediate position.

WARNING – Do Not Use for reciprocating air compressor service.

NOTE: 0.5 PSI pressure required to open spring.

NOTE: Check valves are down-rated from 250 PSI CWP to 200 PSI CWP to match the Press System.